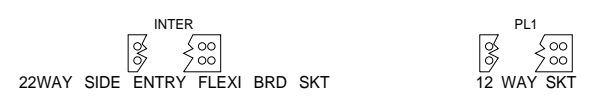
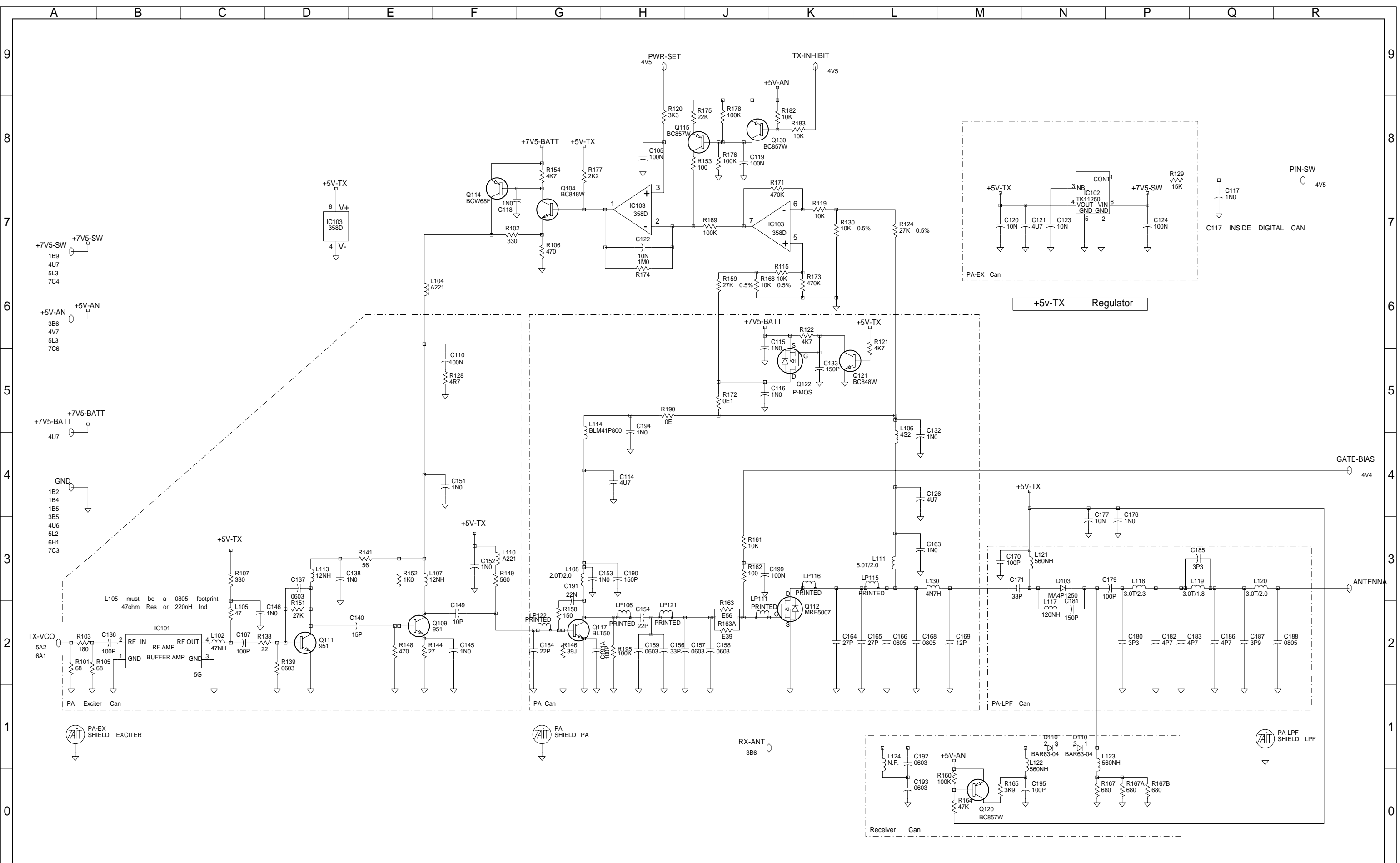


REV/ISS	AMENDMENTS	DRAWN	CHKD	D.O.	APVD	DATE
11D	DIG SHIELD. CCO# 1392-009	CM				03/02/00
11C	PINS & SEALS. CCO NO.1503-008	TS				11-11-99
11B	CHANGE D103-> MA4P1250 ECO500411	TS				29-10-99
11A	CHANGE NOTE 500310	BRD				05-07-99
10B	CHANGED C572 FROM 0603 TO 0805	BRD				11-5-99
10A	MUTE MOD/ALC/BIRDY MODS	BRD				11-03-99
09A	UPDATES TO COIL PADS	BRD				04/02/99

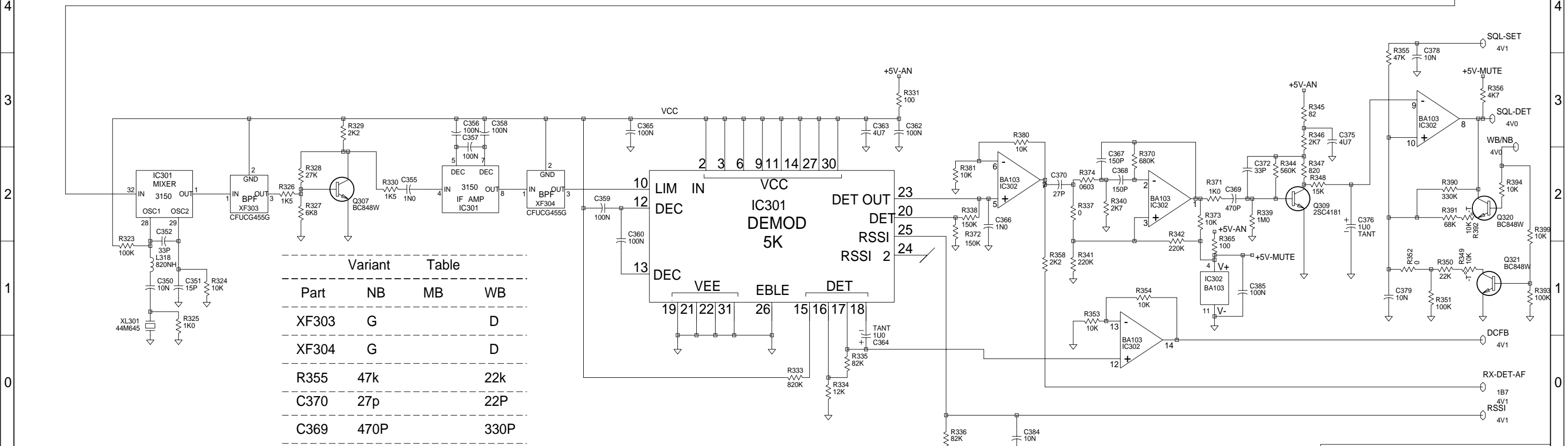
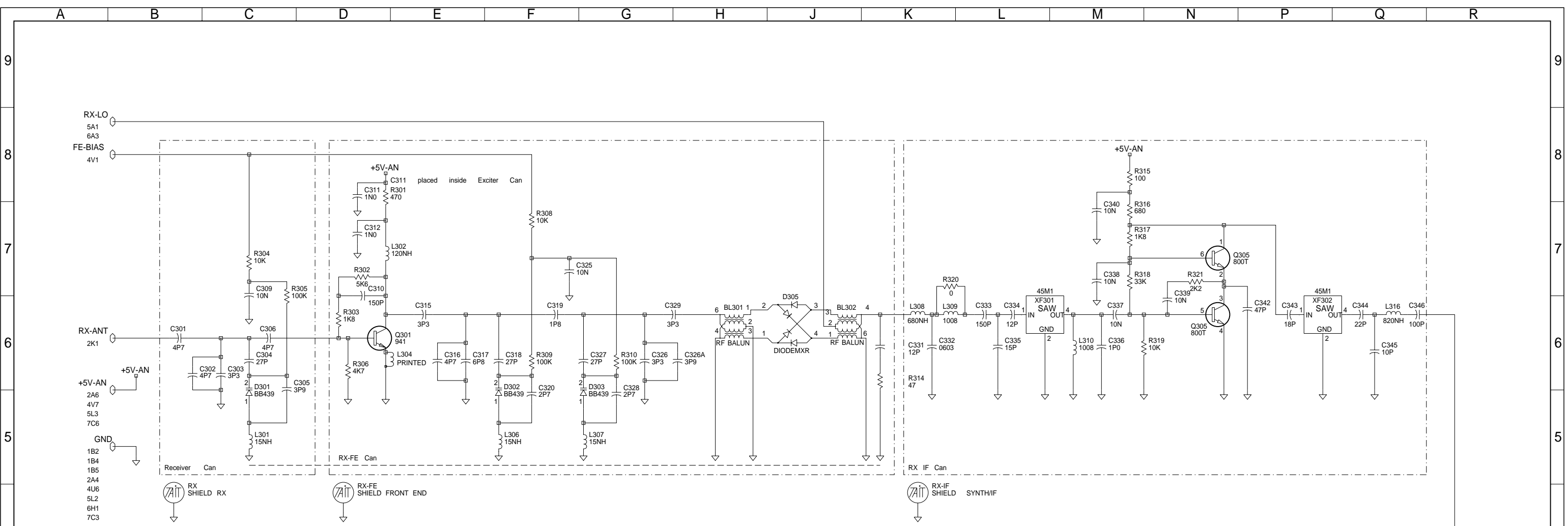


TAIT ELECTRONICS	
ORCA : 400-440MHZ SYSTEM DIAGRAM	
IPN: 220-01392-11	ID: 2.S.C. 1
PROJECT: ORCA	DESIGNER: BRD/CM
FILE NAME: 139211d	DATE: 7-Feb-00
NO SHEETS: 7	



© TAIT ELECTRONICS
 ORCA : 400-440MHZ
 POWER AMPLIFIER
 IPN: 220-01392-11 ISSUE: D ID: 2.S.C. 2
 PROJECT: ORCA DESIGNER: BRD/CM FILE NAME: 139211d FILE DATE: 7-Feb-00 NO.SHEETS: 7

REV/ISS	AMENDMENTS	DRAWN	CHKD	D.O.	APVD	DATE
A						

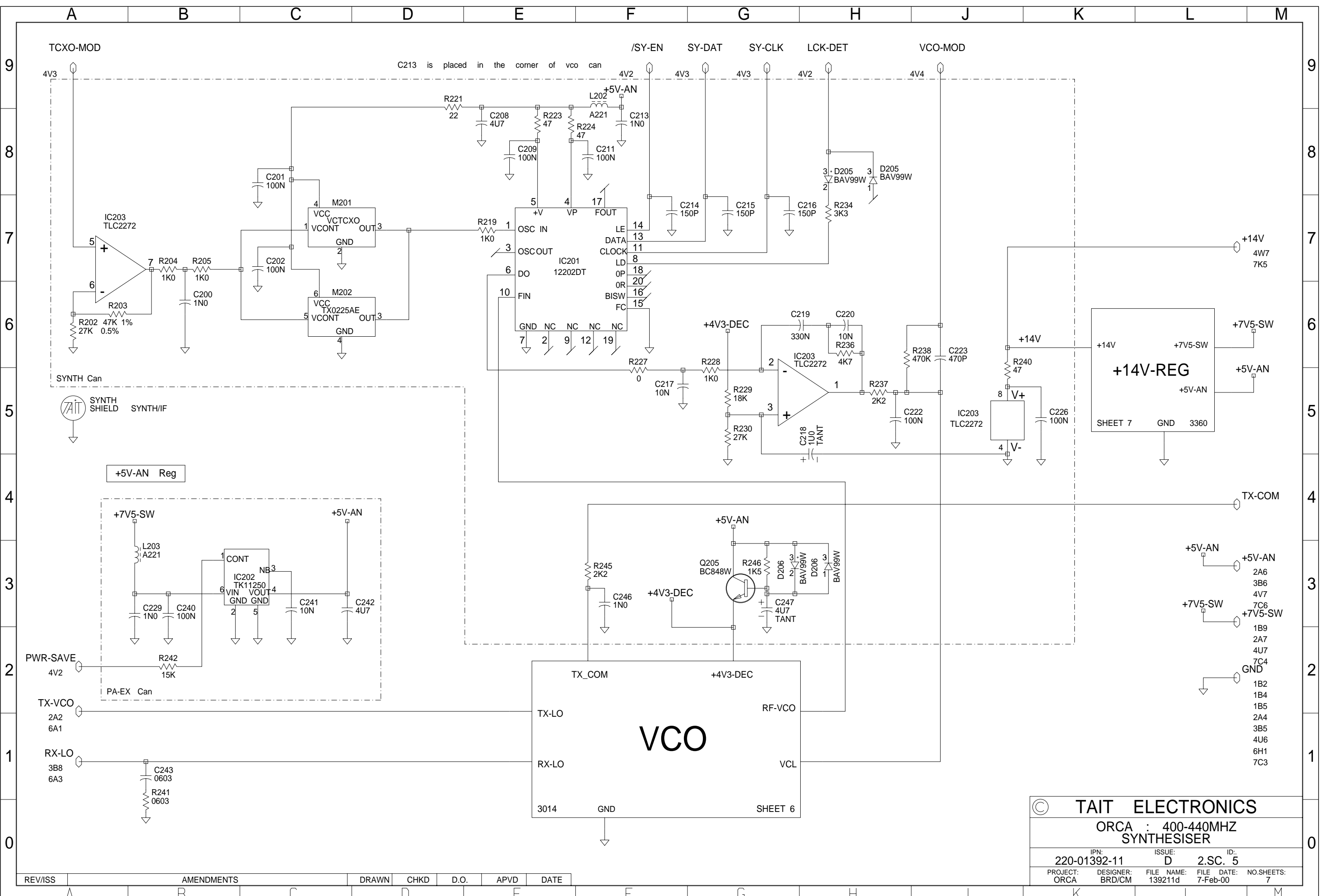


Variant Table

Part	NB	MB	WB
XF303	G		D
XF304	G		D
R355	47k		22k
C370	27p		22P
C369	470P		330P
R390	330k		68k

© TAIT ELECTRONICS
 ORCA : 400-440MHZ RECEIVER
 IPN: 220-01392-11 ISSUE: D ID: 2.S.C. 3
 PROJECT: ORCA DESIGNER: BRD/CM FILE NAME: 139211d DATE: 7-Feb-00 NO.SHEETS: 7

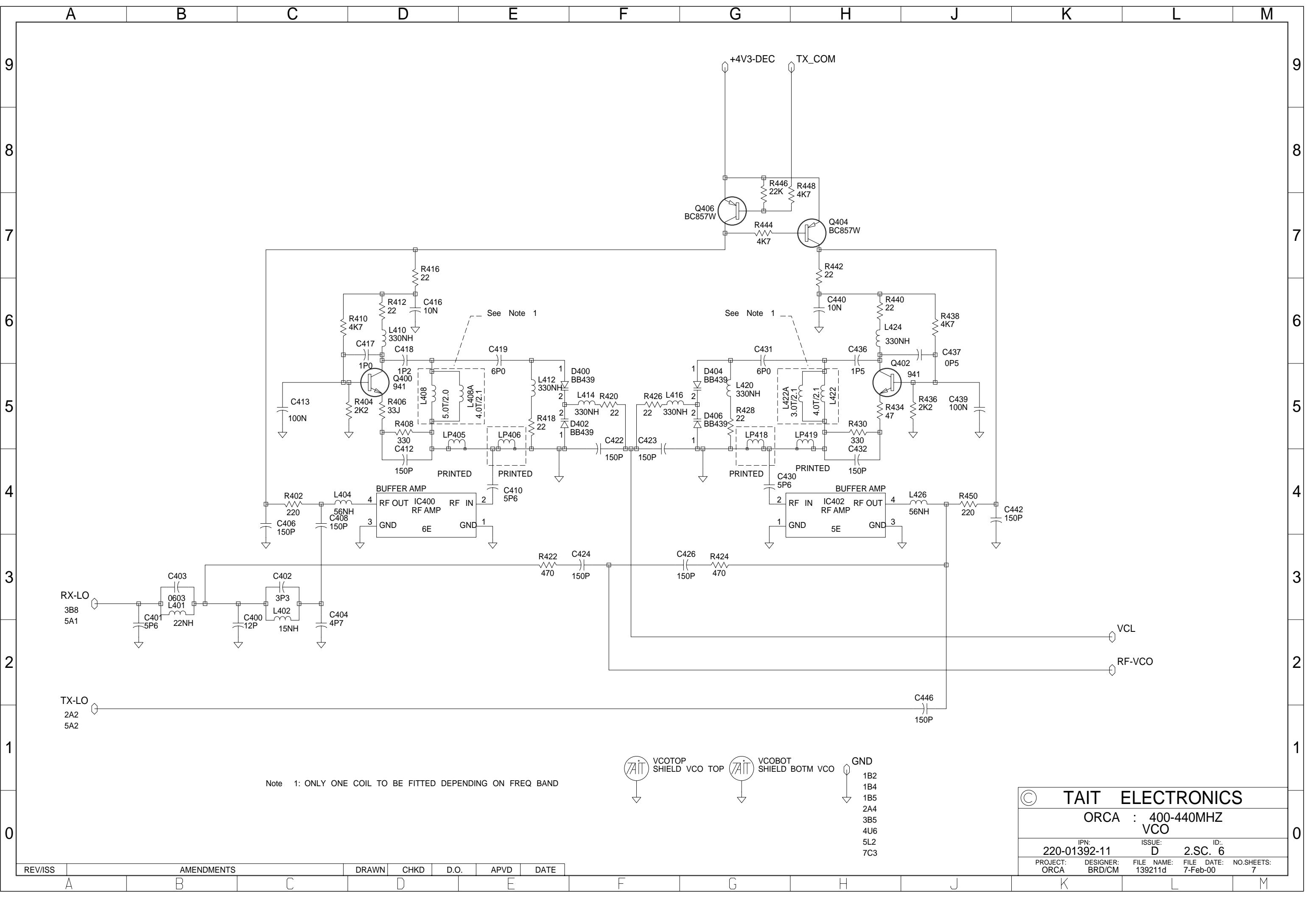
REV/ISS	AMENDMENTS	DRAWN	CHKD	D.O.	APVD	DATE



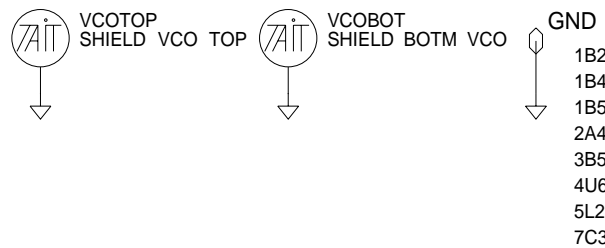
© TAIT ELECTRONICS
 ORCA : 400-440MHZ SYNTHESISER
 IPN: 220-01392-11 ISSUE: D ID: 2.SC. 5
 PROJECT: ORCA DESIGNER: BRD/CM FILE NAME: 139211d FILE DATE: 7-Feb-00 NO.SHEETS: 7

REV/ISS	AMENDMENTS	DRAWN	CHKD	D.O.	APVD	DATE

- +5V-AN 2A6
- +5V-AN 3B6
- 4V7 4U7
- +7V5-SW 7C6
- +7V5-SW 1B9
- GND 2A7
- 1B5
- 2A4
- 3B5
- 4U6
- 6H1
- 7C3



Note 1: ONLY ONE COIL TO BE FITTED DEPENDING ON FREQ BAND



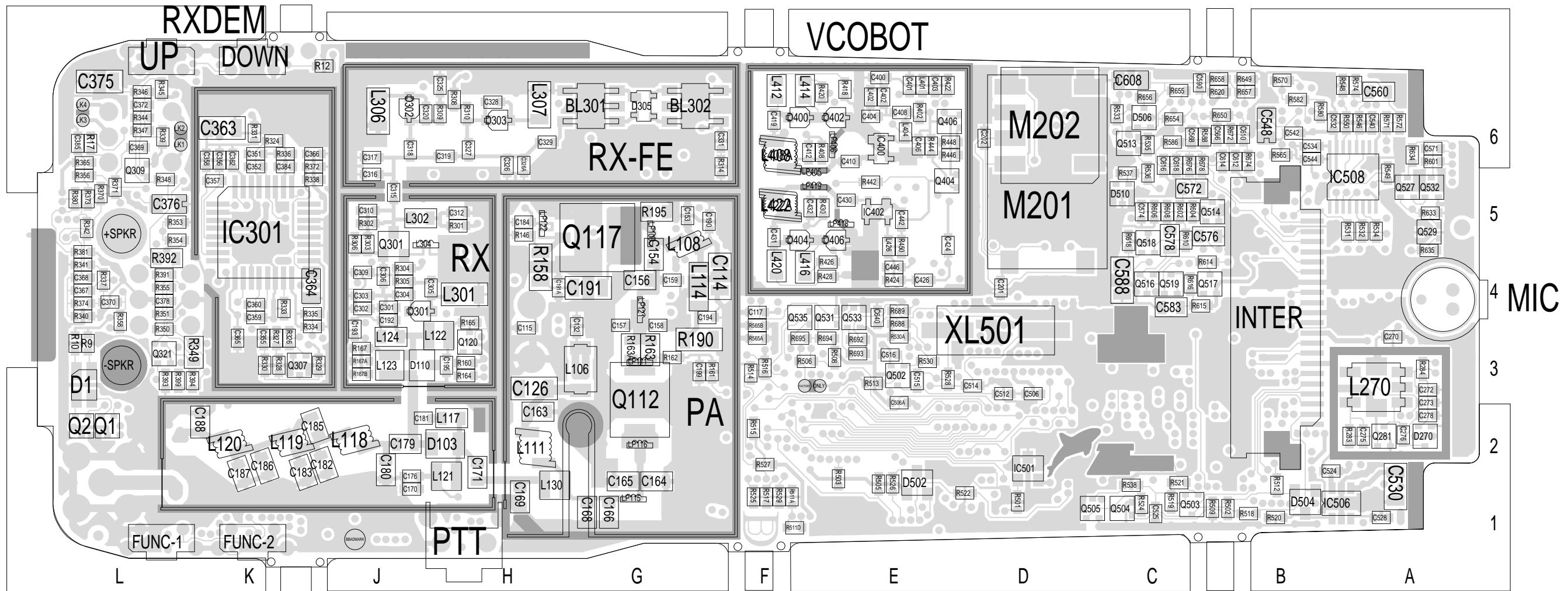
© TAIT ELECTRONICS

ORCA : 400-440MHZ VCO

IPN: 220-01392-11 ISSUE: D ID: 2.SC. 6

PROJECT: ORCA DESIGNER: BRD/CM FILE NAME: 139211d FILE DATE: 7-Feb-00 NO.SHEETS: 7

REV/ISS	AMENDMENTS	DRAWN	CHKD	D.O.	APVD	DATE



TAIT ELECTRONICS IPN: 220-01392-11 ISS: -11A ID: 6.BA DATE: 6 Aug 1999
 ORCA UHF PCB LAYOUT - BOTTOM SIDE